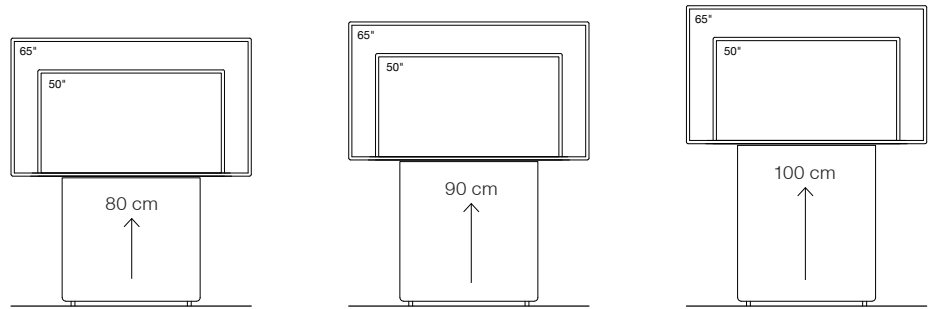


UC-Display column_W6 - size M

for 50" to 65" displays
with up to 40 kg weight



Type / Design

Housing and front cover made of MDF.
Structured vanish lacquered.
For variable height display mounting/-positioning.
Display mount not included.

Base furniture with plate height

80 cm

90 cm

100 cm

Dimensions (W x D x H)

Furniture, outside	850 x 150 x 1430 - 1830 mm	850 x 150 x 1430 - 1830 mm	850 x 150 x 1430 - 1830 mm
Technologie housing	650 x 115 x 760 mm	650 x 115 x 860 mm	650 x 115 x 960 mm

Requirements for display integration

- max. display width	1600 mm	1600 mm	1600 mm
- max. display weight	40 kg	40 kg	40 kg
- recomm. display depth (incl. mount)	95 - 115 mm	95 - 115 mm	95 - 115 mm
- space for display mount (W x H)	645 x 580 mm	645 x 580 mm	645 x 580 mm

Color* / Item number

arctic white = short term, available from stock
basis rate for 1 piece

10072
1.390 Euro

10073
1.440 Euro

10074
1.490 Euro

lava black = order-related, with 6 - 8 weeks
delivery time

basis rate for 1 piece

10579
1.530 Euro

10580
1.590 Euro

10581
1.640 Euro

excluding transportation
(order of 3 more = scaled conditions!)

on request

on request

on request

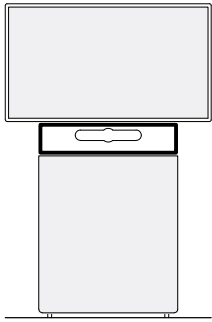
Shipping

on request

Options	Surface / Color	Item number	Sales price
Mount für VC-camera for position over and below display, space 240 x 150 mm (W x D)	metal, powder coated, black	10075	190 Euro
L-Foot for free positioning on a wall, dimensions 740 x 305 mm (W x D)	metal, powder coated, black	10076	390 Euro
T-Foot for free positioning in a room, dimensions 740 x 410 mm (W x D)	metal, powder coated, black	10077	490 Euro

+ complementary bezel plates - size M

for the integration of UC-systems / VC-cameras as well as control panels and connector panels.



Type / Design

Made of MDF, structured varnish lacquered.
In width of 85 cm.
In arctic white = short term, available from stock.
In lava black = order-related, with 6 - 8 weeks delivery time.

	hight 10 cm		hight 20 cm		hight 30 cm***	
	arctic white	lava black	arctic white	lava black	arctic white	lava black
universal, <u>without</u> cutout						
Item number	10079	10582	10082	10585	10086	10589
Basis rate for 1 piece**	100 Euro	110 Euro	150 Euro	165 Euro	200 Euro	220 Euro
universal, <u>with</u> cutout						
Item number	10080	10583	10083	10586	10087	10590
Basis rate for 1 piece**	150 Euro	165 Euro	200 Euro	220 Euro	250 Euro	275 Euro
special: - for <u>Logitech „Meet up“</u>						
Item number			10084	10587	10088	10591
Basis rate for 1 piece**			200 Euro	220 Euro	250 Euro	275 Euro
- for <u>Panacast VC-camera</u>						
Item number	10081	10584	10085	10588	10089	10592
Basis rate for 1 piece**	150 Euro	165 Euro	200 Euro	220 Euro	250 Euro	275 Euro

Shipping

on request

Options

		Item number	Sales price
custom cutouts for free positioning of keypads, control panels or connector panels.	1. piece	10090	190 Euro
	every further, identical	10577	95 Euro
custom drilled holes of up to 68 mm for free positioning of switches, sockets, outlets etc.	1. piece	10091	90 Euro
	every further, identical	10578	45 Euro

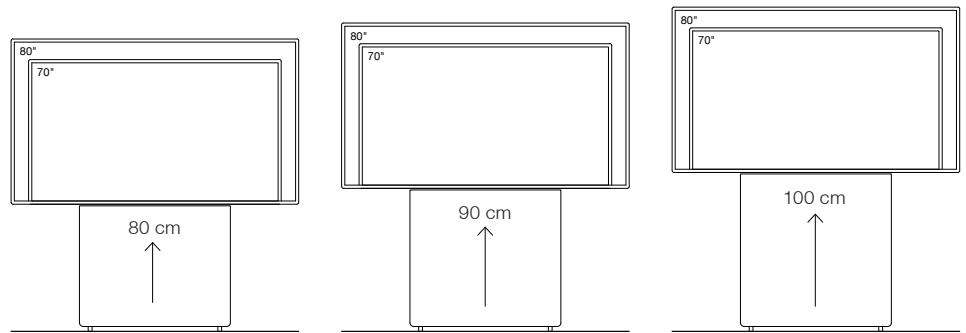
* Structured varnish colors can be customized on request against surcharge.

** plus transport/delivery | order of 3 or more = scaled conditions

*** Can be used in combination with 80 cm and 90 cm high front panel (the height of the lower edge of the display in this case is max. 120 cm).

UC-Display column_W6 - size L new

for 70" to 80" displays
with up to 60 kg weight



Type / Design

Housing and front cover made of MDF.
Structured vanish lacquered.
For variable height display mounting/-positioning.
Display mount not included.

Base furniture with plate height

80 cm

90 cm

100 cm

Dimensions (W x D x H)

Furniture, outside

950 x 180 x 1650 - 1950 mm

950 x 180 x 1650 - 1950 mm

950 x 180 x 1650 - 1950 mm

Technologie housing

750 x 140 x 760 mm

750 x 140 x 860 mm

750 x 140 x 960 mm

Requirements for display integration

- max. display width

1900 mm

1900 mm

1900 mm

- max. display weight

60 kg

60 kg

60 kg

- recomm. display depth (incl. mount)

120 - 130 mm

120 - 130 mm

120 - 130 mm

- space for display mount (W x H)

745 x 620 mm

745 x 620 mm

745 x 620 mm

Color* / Item number

arctic white

10612

10613

10614

Basis rate for 1 piece

1.740 Euro

1.810 Euro

1.880 Euro

lava black = order-related, with 6 - 8 weeks
delivery time

10620

10621

10622

Basis rate for 1 piece

1.910 Euro

1.990 Euro

2.070 Euro

excluding transportation

(order of 3 more = scaled conditions!)

on request

on request

on request

Shipping

on request

Options

Surface / Color

Item number

Sales price

Mount für VC cameras

for position above and below display, space 240 x 150 mm (W x D)

metal, powder coated, black

10075

190 Euro

L-Foot

for free positioning on a wall, dimensions 840 x 335 mm (W x D)

metal, powder coated, black

10616

490 Euro

T-Foot

for free positioning in a room, dimensions 840 x 460 mm (W x D)

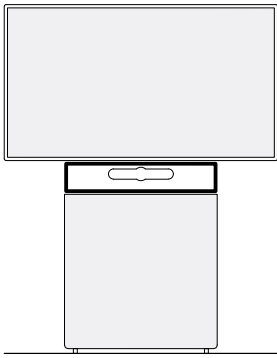
metal, powder coated, black

10617

640 Euro

+ complementary bezel plates - size L

for the integration of UC-systems / VC-cameras as well as control panels and connector panels.



Type / Design

Made of MDF, structured vanish lacquered.
In width of 85 cm.
In lava black = order-related, with 6 - 8 weeks delivery time.

	hight 10 cm		hight 20 cm		hight 30 cm***	
	arctic white	lava black	arctic white	lava black	arctic white	lava black
universal, <u>without</u> cutout						
Item number	10623	10634	10626	10637	10630	10641
Basis rate for 1 piece**	150 Euro	175 Euro	200 Euro	220 Euro	250 Euro	275 Euro
universal, <u>with</u> cutout						
Item number	10624	10635	10627	10638	10631	10642
Basis rate for 1 piece**	200 Euro	220 Euro	250 Euro	275 Euro	300 Euro	330 Euro
special: - for <u>Logitech „Meet up“</u>						
Item number			10628	10639	10632	10643
Basis rate for 1 piece**			250 Euro	275 Euro	300 Euro	330 Euro
- for <u>Panacast VC-camera</u>						
Item number	10625	10636	10629	10640	10633	10644
Basis rate for 1 piece**	200 Euro	220 Euro	250 Euro	275 Euro	300 Euro	330 Euro

Shipping

on request

Options

		Item number	Sales price
custom cutouts for free positioning of keypads, control panels or connector panels.	1. piece	10090	190 Euro
	every further, identical	10577	95 Euro
custom drilled holes of up to 68 mm for free positioning of switches, sockets, outlets etc.	1. piece	10091	90 Euro
	every further, identical	10578	45 Euro

* Structured varnish colors can be customized on request against surcharge.

** plus transport/delivery | order of 3 or more = scaled conditions

*** Can be used in combination with 80 cm and 90 cm high front panel (the height of the lower edge of the display in this case is max. 120 cm).