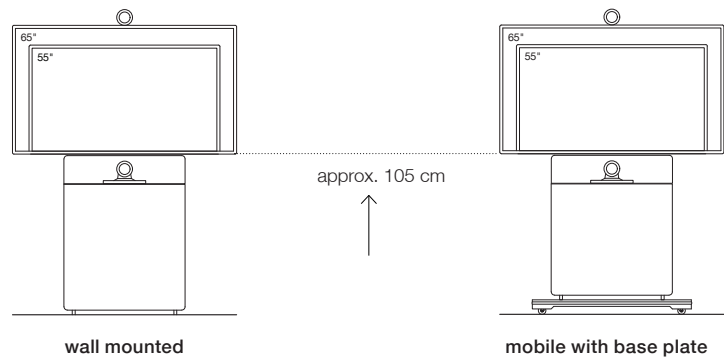


## Media column\_W8 M

for 55" to 65" displays  
with up to 60 kg weight



### VC camera position:

above display (height variable from 180 cm upward)  
or below display (height about 85 cm)

### Type / Design

One door – with textile cover for external speakers in black.  
Housing and door made of MDF, finished with structure lacquer.  
Passive housing ventilation for individual technology integration.  
Prepared for the integration of a video conference system. Display mount not included.

### Dimensions (W x D x H)

Furniture, outside (base plate)	800 x 220 x 1750 mm	800 (1050) x 220 (550) x 1750 (100) mm
Technology housing (*fittings not included)	650 x 180* x 800 mm	650 x 180* x 720 mm
Speaker housing	620 x 180 x 165 mm	620 x 180 x 165 mm

### Requirements for display integration

- max. display width	1600 mm	1600 mm
- max. display weight	60 kg	60 kg
- recom. display depth (incl. mount)	80 - 100 mm	80 - 100 mm
- space for display mount (W x H)	700 x 660 mm	700 x 660 mm
- recess for display and mount	80 mm	80 mm
- height of the display's lower edge	1050 mm	1050 mm

### Color\*\* / Item number

arctic white	10010	10012
lava black	10011	10013

### Base price for 1 unit

excluding transportation	3.210 Euro	4.220 Euro
(order of 3 or more = scaled conditions!)	on request	on request

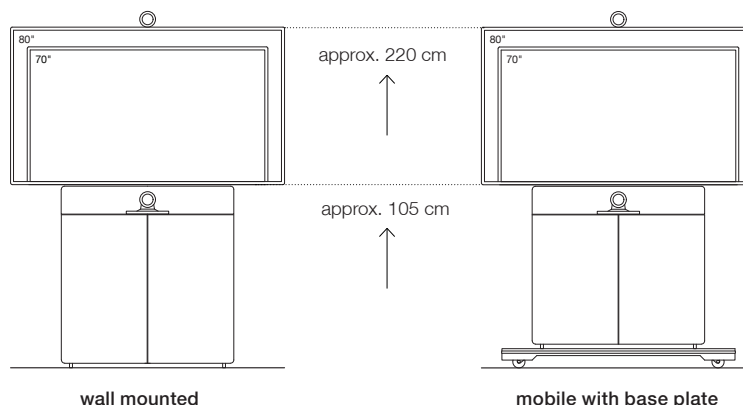
### Shipping

on request

Options	Surface / Color	Item number	Sales price
<b>VC camera mount</b>			
- for position above display, space 240 x 165 mm (W x D)	metal, powder coated, black	10033	220 Euro
- for position in front and with adapted speaker fabric panel space 250 x 200 mm (W x D)	metal, powder coated, black	10034	220 Euro
<b>Customized bezel for VC systems up to a width of 620 mm</b>			
for Example for Cisco Webex Room Kit Mini / Poly X30/R30 / etc. incl. mounting device This bezel replaces the speaker covers of the main product.	structure lacquer arctic white	10571	445 Euro
	structure lacquer lava black	10704	445 Euro
<b>Door lock (per door/piece)</b>	nickel-plated, matt	10035	170 Euro
<b>Shelf for technology housing</b>			
	structured lacquer arctic white	10028	55 Euro
	structured lacquer lava black	10664	55 Euro
<b>Cable roll holder</b>			
on the back side of the mobile version	structure lacquer arctic white	10036	160 Euro
	structure lacquer lava black	10665	160 Euro

## Media column\_W8 L

for 70" to 80" displays  
with up to 80 kg weight



### VC camera position:

above display (height variable from 210 cm upward)  
or below display (height about 102 cm)

### Type / Design

Two doors – with textile cover for external speakers in black.  
Housing and door made of MDF, finished with structure lacquer.  
Passive housing ventilation for individual technology integration.  
Prepared for the integration of a video conference system. Display mount not included.

### Dimensions (W x D x H)

Furniture, outside (base plate)	1140 x 250 x 1960 mm	1140 (1540) x 250 (650) x 1960 (130) mm
Technology housing (*fittings not included)	2 x 480 x 210* x 950 mm	2 x 480 x 210* x 840 mm
Speaker housing	960 x 210 x 165 mm	960 x 210 x 165 mm

### Requirements for display integration

- max. display width	1900 mm	1900 mm
- max. display weight	80 kg	80 kg
- recom. display depth (incl. mount)	110 - 130 mm	110 - 130 mm
- space for display mount (W x H)	1040 x 725 mm	1040 x 725 mm
- recess for display and mount	110 mm	110 mm
- height of the display's lower edge	1200 mm	1200 mm

### Color\*\* / Item number

arctic white	10014	10016
lava black	10015	10017

### Base price for 1 unit

4.190 Euro

5.660 Euro

excluding transportation

(order of 3 or more = scaled conditions!)

on request

on request

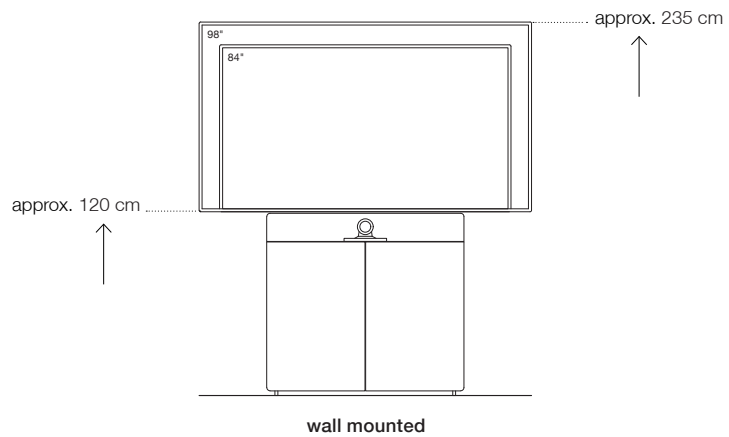
### Shipping

on request

Options	Surface / Color	Item number	Sales price
<b>VC camera housing below display***</b>			
with centrally divided speaker cover, dimensions 340 x 210 x 180 mm (W x D x H)	structure lacquer arctic white	10667 ***12048	445 Euro
*** = wide version (540 x 210 x 180 mm), for dual cameras	structure lacquer lava black	10671 ***12049	445 Euro
<b>VC camera mount</b>			
- for position above display, space 240 x 165 mm (W x D)	metal, powder coated, black	10033	220 Euro
<b>Customized bezel for VC systems up to a width of 960 mm</b>			
for Example for Cisco Webex Room Kit (Plus) / PanaCast 50 / Polycom Studio / etc.	structure lacquer arctic white	10705	445 Euro
incl. mounting device	structure lacquer lava black	10706	445 Euro
This bezel replaces the speaker covers of the main product.			
<b>Door lock (per door/piece)</b>	nickel-plated, matt	10035	170 Euro
<b>Shelf for technology housing</b>			
	structure lacquer arctic white	10029	55 Euro
	structure lacquer lava black	10666	55 Euro
<b>Cable roll holder</b>			
on the back side of the mobile version	structure lacquer arctic white	10036	160 Euro
	structure lacquer lava black	10665	160 Euro

## Media column\_W8 XL

for 84" to 98" displays (16:9)  
with up to 100 kg weight



### Type / Design

Two doors – with textile cover for external speakers in black.  
Housing and door made of MDF, finished with structure lacquer.  
Passive housing ventilation for individual technology integration.  
Prepared for the integration of a video conference system. Display mount not included.

### Dimensions (W x D x H)

Furniture, outside (base plate)	1300 x 280 x 2070 mm
Technology housing (*fittings not included)	2 x 560 x 240* x 950 mm
Speaker housing	1120 x 240 x 165 mm

### Requirements for display integration

- max. display width	2280 mm
- max. display weight	100 kg
- recom. display depth (incl. mount)	130 - 150 mm
- space for display mount (W x H)	1200 x 835 mm
- recess for display and mount	130 mm
- height of the display's lower edge	1200 mm

### Color\*\* / Item number

arctic white	10018
lava black	10019

### Base price for 1 unit

excluding transportation	4.960 Euro
(order of 3 or more = scaled conditions!)	on request

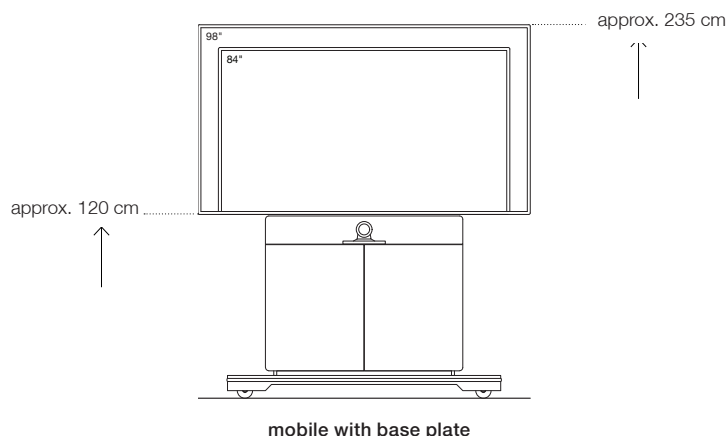
### Shipping

on request

Options	Surface / Color	Item number	Sales price
<b>VC camera housing below display*/***</b> with centrally divided speaker cover, dimensions 340 x 210 x 180 mm (W x D x H) * = narrow version (180 x 240 x 180 mm), for Example for Rally Plus *** = wide version (540 x 240 x 180 mm), for dual cameras	structure lacquer arctic white	10668 *10692 ***11441	445 Euro
	structure lacquer lava black	10669 *10647 ***11442	445 Euro
<b>Customized bezel for VC systems up to a width of 1120 mm</b> for Example for Cisco Webex Room Kit (Plus) / Crestron Flex / Polycom Studio / etc. incl. mounting device This bezel replaces the speaker covers of the main product.	structure lacquer arctic white	10707	445 Euro
	structure lacquer lava black	10708	445 Euro
<b>Door lock (per door/piece)</b>	nickel-plated, matt	10035	170 Euro
<b>Shelf for technology housing</b>	structure lacquer arctic white	10030	55 Euro
	structure lacquer lava black	10670	55 Euro

# Media column\_W8 XL

for 84" to 98" displays (16:9)  
with up to 100 kg weight



**VC camera position:**  
below display (height about 102 cm)

## Type / Design

Two doors – with textile cover for external speakers in black.  
Housing and door made of MDF, finished with structure lacquer.  
Passive housing ventilation for individual technology integration.  
Prepared for the integration of a video conference system. Display mount not included.

## Dimensions (W x D x H)

Furniture, outside (base plate)	1300 (1800) x 280 (700) x 2070 (150) mm
Technology housing (*fittings not included)	2 x 560 x 240* x 820 mm
Speaker housing	1120 x 240 x 165 mm

## Requirements for display integration

- max. display width	2280 mm
- max. display weight	100 kg
- recom. display depth (incl. mount)	130 - 150 mm
- space for display mount (W x H)	1200 x 835 mm
- recess for display and mount	130 mm
- height of the display's lower edge	1200 mm

## Color\*\* / Item number

arctic white	10020
lava black	10021

## Base price for 1 unit

excluding transportation	6.965 Euro
(order of 3 or more = scaled conditions!)	on request

## Shipping

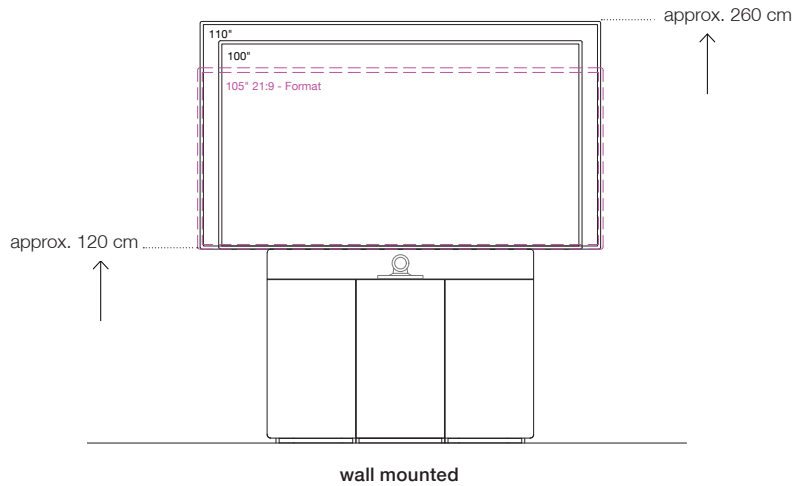
on request

Options	Surface / Color	Item number	Sales price
<b>VC camera housing below display*/***</b> with centrally divided speaker cover, dimensions 340 x 240 x 180 mm (W x D x H) * = narrow version (180 x 240 x 180 mm), for Example for Rally Plus *** = wide version (540 x 240 x 180 mm), for dual cameras	structure lacquer arctic white	10668 *10692 ***11441	445 Euro
	structure lacquer lava black	10669 *10647 ***11442	445 Euro
<b>Customized bezel for VC systems up to a width width of 1120 mm</b> for Example for Cisco Webex Room Kit (Plus) / Crestron Flex / Polycom Studio / etc. incl. mounting device This bezel replaces the speaker covers of the main product.	structure lacquer arctic white	10707	445 Euro
	structure lacquer lava black	10708	445 Euro
<b>Door lock (per door/piece)</b>	nickel-plated, matt	10035	170 Euro
<b>Shelf for technology housing</b>	structure lacquer arctic white	10030	55 Euro
	structure lacquer lava black	10670	55 Euro
<b>Cable roll holder</b> on the back side	structure lacquer arctic white	10036	160 Euro
	structure lacquer lava black	10665	160 Euro

\*\* Structure lacquer colors can be customized on request against surcharge.  
Prices = net sales prices, excluding VAT (in Euro)

# Media column\_W8 XXL

for 100" to 110" displays and LED panels  
 also in 21:9 format  
 with each up to 120 kg weight



**VC camera position:**  
 below display (height about 102 cm)

**Type / Design**

Three doors – with textile cover for external speakers in black.  
 Housing and door made of MDF, finished with structure lacquer.  
 Passive housing ventilation for individual technology integration.  
 Prepared for the integration of a video conference system. Display mount not included.

**Dimensions (W x D x H)**

Furniture, outside (base plate)	1680 x 310 x 2210 mm
Technology housing (*fittings not included)	2 x 460 x 270* x 950 mm 1 x 520 x 270* x 950 mm
Speaker housing	2 x 430 x 270 x 165 mm

**Requirements for display integration**

- max. display width	2500 mm
- max. display weight	120 kg
- recom. display depth (incl. mount)	130 - 150 mm
- space for display mount (W x H)	1580 x 975 mm
- recess for display and mount	130 mm
- height of the display's lower edge	1200 mm

**Color\*\* / Item number**

arctic white	11526
lava black	11527

**Base price for 1 unit**

excluding transportation	7.870 Euro
(order of 3 or more = scaled conditions!)	on request

**Shipping**

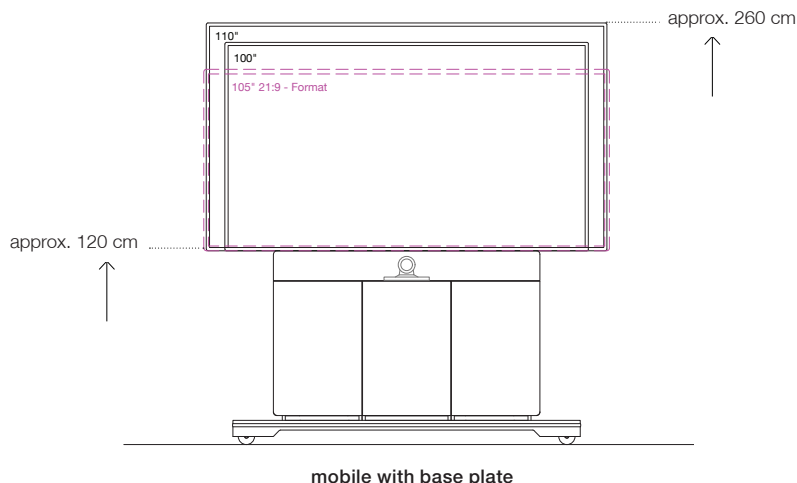
on request

Options	Surface / Color	Item number	Sales price
<b>VC camera housing below display***</b> with centrally divided speaker cover, dimensions 340 x 270 x 180 mm (W x D x H) *** = wide version (540 x 270 x 180 mm), for dual cameras	structure lacquer arctic white	11530 ***11943	445 Euro
	structure lacquer lava black	11531 ***11944	445 Euro
<b>Customized bezel for VC systems</b> for Example for Cisco Webex Room Kit (Plus) / Crestron Flex / Polycom Studio / etc. incl. mounting device This bezel replaces the speaker covers of the main product.	structure lacquer arctic white	11532	445 Euro
	structure lacquer lava black	11533	445 Euro
<b>Door lock (per door/piece)</b>	nickel-plated, matt	10035	170 Euro
<b>Shelf for technology housing</b>	structure lacquer arctic white	each L/R:11534, M:11535	55 Euro
	structure lacquer lava black	each L/R:11536, M:11537	55 Euro
<b>Individual adjustment/enlargement of the display mounting board for LED panels</b>	structure lacquer arctic white	12033	490 Euro

\*\* Structure lacquer colors can be customized on request against surcharge.  
 Prices = net sales prices, excluding VAT (in Euro)

## Media column\_W8 XXL

for 100" to 110" displays and LED panels  
 also in 21:9 format  
 with each up to 120 kg weight



### VC camera position:

below display (height about 102 cm).

### Type / Design

Three doors – with textile cover for external speakers in black.  
 Housing and door made of MDF, finished with structure lacquer.  
 Passive housing ventilation for individual technology integration.  
 Prepared for the integration of a video conference system. Display mount not included.

### Dimensions (W x D x H)

Furniture, outside (base plate)

1680 (2150) x 310 (750) x 2210 (150) mm

Technology housing (\*fittings not included)

2 x 460 x 270\* x 820 mm

1 x 520 x 270\* x 820 mm

Speaker housing

2 x 430 x 270 x 165 mm

### Requirements for display integration

- max. display width	2500 mm
- max. display weight	120 kg
- recom. display depth (incl. mount)	130 - 150 mm
- space for display mount (W x H)	1580 x 975 mm
- recess for display and mount	130 mm
- height of the display's lower edge	1200 mm

### Color\*\* / Item number

arctic white

**11528**

lava black

**11529**

### Base price for 1 unit

**10.880 Euro**

excluding transportation

(order of 3 or more = scaled conditions!)

on request

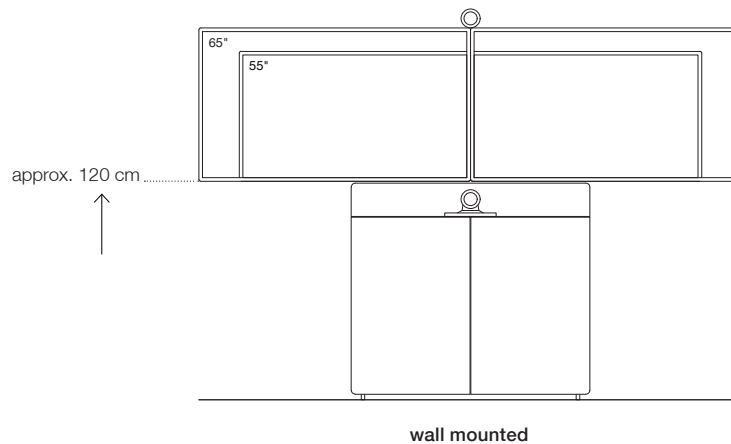
### Shipping

on request

Options	Surface / Color	Item number	Sales price
<b>VC camera housing below display***</b> with centrally divided speaker cover, dimensions 340 x 270 x 180 mm (W x D x H) *** = wide version (540 x 270 x 180 mm), for dual cameras	structure lacquer arctic white	11530 ***11943	445 Euro
	structure lacquer lava black	11531 ***11944	445 Euro
<b>Customized bezel for VC systems</b> for Example for Cisco Webex Room Kit (Plus) / Crestron Flex / Polycom Studio / etc. incl. mounting device This bezel replaces the speaker covers of the main product.	structure lacquer arctic white	11532	445 Euro
	structure lacquer lava black	11533	445 Euro
<b>Door lock (per door/piece)</b>	nickel-plated, matt	10035	170 Euro
<b>Shelf for technology housing</b>	structure lacquer arctic white	each L/R:11534, M:11535	55 Euro
	structure lacquer lava black	each L/R:11536, M:11537	55 Euro
<b>Individual adjustment/enlargement of the display mounting board for LED panels</b>	structure lacquer lava black	12033	290 Euro
<b>Cable roll holder</b> on the back side	structure lacquer arctic white	10036	160 Euro
	structure lacquer lava black	10665	160 Euro

# Media column\_W8 M<sup>2</sup>

for 55" to 65" displays  
with each up to 60 kg weight



## VC camera position:

above display (height variable from 195 cm upward)  
or below display (height about 102 cm)

## Type / Design

Two doors – with textile cover for external speakers in black.  
Housing and door made of MDF, finished with structure lacquer.  
Passive housing ventilation for individual technology integration.  
Prepared for the integration of a video conference system. Display mount not included.

## Dimensions (W x D x H)

Furniture, outside (base plate)	1300 x 280 x 1900 mm
Technology housing (*fittings not included)	2 x 560 x 240* x 950 mm
Speaker housing	1120 x 240 x 165 mm

## Requirements for display integration

- max. display width	1600 mm
- max. display weight	60 kg
- recom. display depth (incl. mount)	80 - 100 mm
- space for display mount (W x H)	2200 x 660 mm
- recess for display and mount	80 mm
- height of the display's lower edge	1200 mm

## Color\*\* / Item number

arctic white	10022
lava black	10023

## Base price for 1 unit

excluding transportation	5.290 Euro
(order of 3 or more = scaled conditions!)	on request

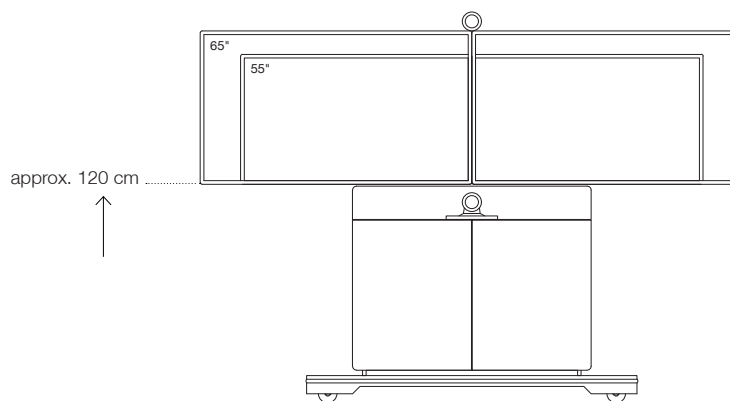
## Shipping

on request

Options	Surface / Color	Item number	Sales price
<b>VC camera housing below display*/***</b> with centrally divided speaker cover, dimensions 340 x 240 x 180 mm (W x D x H) * = narrow version (180 x 240 x 180 mm), for Example for Rally Plus *** = wide version (540 x 240 x 180 mm), for dual cameras	structure lacquer arctic white	10672 *10678 ***11443	445 Euro
	structure lacquer lava black	10673 *10720 ***11444	445 Euro
<b>VC camera mount</b> for position in front of speaker cover, space 240 x 165 mm (W x D)	metal, powder coated, black	10033	220 Euro
<b>Customized bezel for VC systems up to a width of 1120 mm</b> for Example for Cisco Webex Room Kit (Plus) / Crestron Flex / Polycom Studio / etc. incl. mounting device This bezel replaces the speaker covers of the main product.	structure lacquer arctic white	10709	445 Euro
	structure lacquer lava black	10710	445 Euro
<b>Door lock (per door/piece)</b>	nickel-plated, matt	10035	170 Euro
<b>Shelf for technology housing</b>	structure lacquer arctic white	10031	55 Euro
	structure lacquer lava black	10674	55 Euro

# Medienstele\_W8 M<sup>2</sup>

for 55" to 65" displays  
with each up to 60 kg weight



mobile with base plate

## Type / Design

Two doors – with textile cover for external speakers in black.  
Housing and door made of MDF, finished with structure lacquer.  
Passive housing ventilation for individual technology integration.  
Prepared for the integration of a video conference system. Display mount not included.

## Dimensions (W x D x H)

Furniture, outside (base plate)	1300 (1800) x 280 (700) x 1900 (150) mm
Technology housing (*fittings not included)	2 x 560 x 240* x 820 mm
Speaker housing	1120 x 240 x 165 mm

## Requirements for display integration

- max. display width	1600 mm
- max. display weight	60 kg
- recom. display depth (incl. mount)	80 - 100 mm
- space for display mount (W x H)	2200 x 660 mm
- recess for display and mount	80 mm
- height of the display's lower edge	1200 mm

## Color\*\* / Item number

arctic white	10024
lava black	10025

## Base price for 1 unit

excluding transportation	7.295 Euro
(order of 3 or more = scaled conditions!)	on request

## Shipping

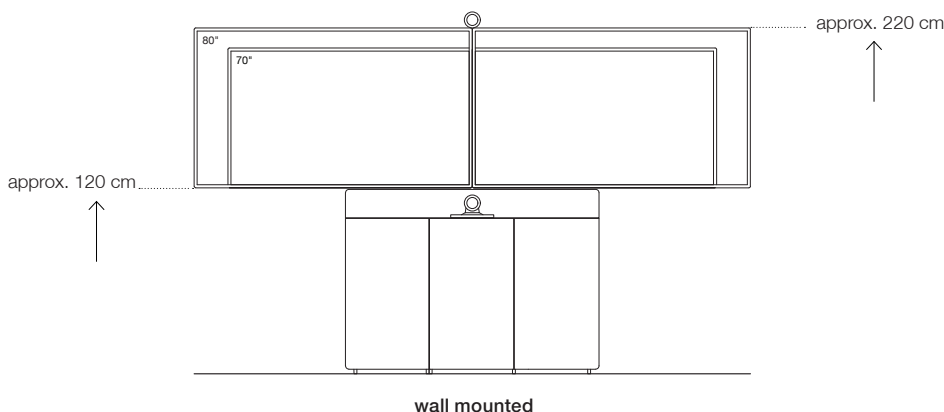
on request

Options	Surface / Color	Item number	Sales price
<b>VC camera housing below display*/***</b> with centrally divided speaker cover, dimensions 340 x 240 x 180 mm (W x D x H)	structure lacquer arctic white	10672 * 10678 *** 11443	445 Euro
	structure lacquer lava black	10673 * 10720 *** 11444	445 Euro
* = narrow version (180 x 240 x 180 mm), for Example for Rally Plus *** = wide version (540 x 240 x 180 mm), for dual cameras			
<b>VC camera mount</b> for position in front of speaker cover, space 240 x 165 mm (W x D)	metal, powder coated, black	10033	220 Euro
<b>Customized bezel for VC systems up to a width of 1120 mm</b> for Example for Cisco Webex Room Kit (Plus) / Crestron Flex / Polycom Studio / etc. incl. mounting device This bezel replaces the speaker covers of the main product.	structure lacquer arctic white	10709	445 Euro
	structure lacquer lava black	10710	445 Euro
<b>Door lock (per door/piece)</b>	nickel-plated, matt	10035	170 Euro
<b>Shelf for technology housing</b>	structure lacquer arctic white	10031	55 Euro
	structure lacquer lava black	10674	55 Euro
<b>Cable roll holder</b> on the back side	structure lacquer arctic white	10036	160 Euro
	structure lacquer lava black	10665	160 Euro



# Media column\_W8 L<sup>2</sup>

for 70" to 80" displays  
with each up to 80 kg weight



**VC camera position:**

above display (height variable from 210 cm upward) or below display (height about 102 cm)

**Type / Design**

Three doors – with textile cover for external speakers in black.  
Housing and door made of MDF, finished with structure lacquer.  
Passive housing ventilation for individual technology integration.  
Prepared for the integration of a video conference system. Display mount not included.

**Dimensions (W x D x H)**

Furniture, outside (base plate)	1680 x 310 x 1960 mm
Technology housing (*fittings not included)	2 x 460 x 270* x 950 mm 1 x 520 x 270* x 950 mm
Speaker housing	2 x 430 x 270 x 165 mm

**Requirements for display integration**

- max. display width	1900 mm
- max. display weight	80 kg
- recom. display depth (incl. mount)	110 - 130 mm
- space for display mount (W x H)	2850 x 725 mm
- recess for display and mount	110 mm
- height of the display's lower edge	1200 mm

**Color\*\* / Item number**

arctic white	10026
lava black	10027

**Base price for 1 unit**

excluding transportation	6.940 Euro
(order of 3 or more = scaled conditions!)	on request

**Shipping**

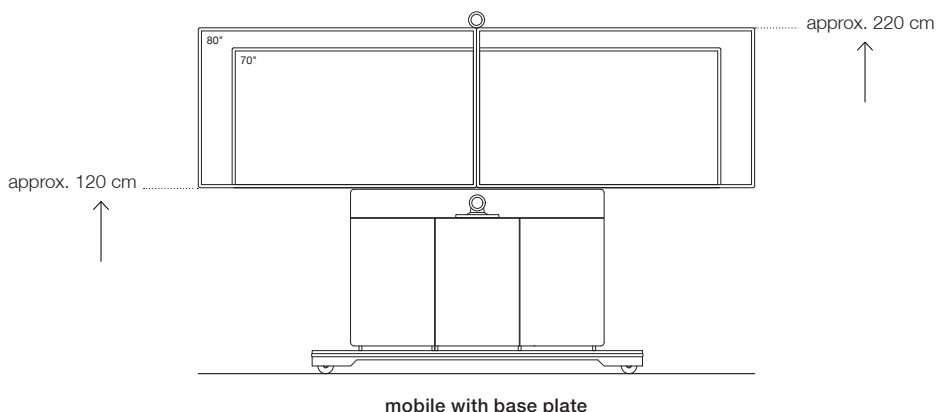
on request

Options	Surface / Color	Item number	Sales price
<b>VC camera housing below display***</b> with centrally divided speaker cover, dimensions 340 x 270 x 180 mm (W x D x H) *** = wide version (540 x 270 x 180 mm), for dual cameras	structure lacquer arctic white	10675 ***11445	445 Euro
	structure lacquer lava black	10676 ***11446	445 Euro
<b>VC camera mount</b> for position in front of speaker cover, space 240 x 165 mm (W x D)	metal, powder coated, black	10033	220 Euro
<b>Customized bezel for VC systems</b> for Example for Cisco Webex Room Kit (Plus) / Crestron Flex / Polycom Studio / etc. incl. mounting device This bezel replaces the speaker covers of the main product.	structure lacquer arctic white	10711	445 Euro
	structure lacquer lava black	10712	445 Euro
<b>Door lock (per door/piece)</b>	nickel-plated, matt	10035	170 Euro
<b>Shelf for technology housing</b>	structure lacquer arctic white	each L/R:10032, M:10682	55 Euro
	structure lacquer lava black	each L/R:10677, M:10684	55 Euro

\*\* Structure lacquer colors can be customized on request against surcharge.  
Prices = net sales prices, excluding VAT (in Euro)

# Media column\_W8 L<sup>2</sup>

for 70" to 80" displays  
with each up to 80 kg weight



## VC camera position:

above display (height variable from 210 cm upward) or below display (height about 102 cm)

## Type / Design

Three doors – with textile cover for external speakers in black.  
Housing and door made of MDF, finished with structure lacquer.  
Passive housing ventilation for individual technology integration.  
Prepared for the integration of a video conference system. Display mount not included.

## Dimensions (W x D x H)

Furniture, outside (base plate)

1680 (2150) x 310 (700) x 1960 (150) mm

Technology housing (\*fittings not included)

2 x 460 x 270\* x 820 mm

1 x 520 x 270\* x 820 mm

Speaker housing

2 x 430 x 270 x 165 mm

## Requirements for display integration

- max. display width	1900 mm
- max. display weight	80 kg
- recom. display depth (incl. mount)	110 - 130 mm
- space for display mount (W x H)	2850 x 725 mm
- recess for display and mount	110 mm
- height of the display's lower edge	1200 mm

## Color\*\* / Item number

arctic white	10651
lava black	10652

## Base price for 1 unit

**9.670 Euro**

excluding transportation

(order of 3 or more = scaled conditions!)

on request

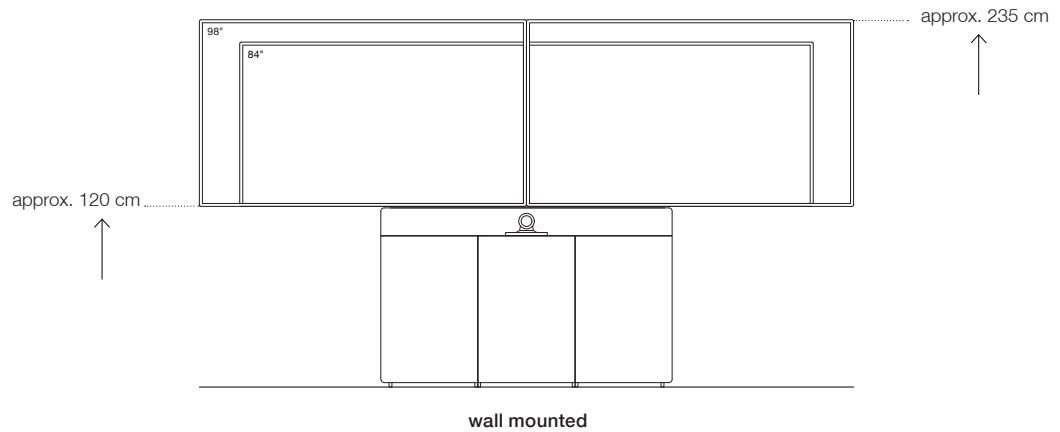
## Shipping

on request

Options	Surface / Color	Item number	Sales price
<b>VC camera housing below display***</b> with centrally divided speaker cover, dimensions 340 x 270 x 180 mm (W x D x H) *** = wide version (540 x 270 x 180 mm), for dual cameras	structure lacquer arctic white	10675 ***11445	445 Euro
	structure lacquer lava black	10676 ***11446	445 Euro
<b>VC camera mount</b> for position in front of speaker cover, space 240 x 165 mm (W x D)	metal, powder coated, black	10033	220 Euro
<b>Customized bezel for VC systems</b> for Example for Cisco Webex Room Kit (Plus) / Crestron Flex / Polycom Studio / etc. incl. mounting device This bezel replaces the speaker covers of the main product.	structure lacquer arctic white	10711	445 Euro
	structure lacquer lava black	10712	445 Euro
<b>Door lock (per door/piece)</b>	nickel-plated, matt	10035	170 Euro
<b>Shelf for technology housing</b>	structure lacquer arctic white	each L/R:10032, M:10682	55 Euro
	structure lacquer lava black	each L/R:10677, M:10684	55 Euro
<b>Cable roll holder</b> on the back side	structure lacquer arctic white	10036	160 Euro
	structure lacquer lava black	10665	160 Euro

## Media column\_W8 XL<sup>2</sup>

for 84" to 98" displays (16:9)  
with each up to 100 kg weight



### Type / Design

Three doors – with textile cover for external speakers in black.  
Housing and door made of MDF, finished with structure lacquer.  
Passive housing ventilation for individual technology integration.  
Prepared for the integration of a video conference system. Display mount not included.

### Dimensions (W x D x H)

Furniture, outside (base plate)	1950 x 310 x 2070 mm
Technology housing (*fittings not included)	2 x 550 x 270* x 950 mm 1 x 610 x 270* x 950 mm
Speaker housing	2 x 520 x 270 x 165 mm

### Requirements for display integration

- max. display width	2280 mm
- max. display weight	100 kg
- recom. display depth (incl. mount)	130 - 150 mm
- space for display mount (W x H)	3400 x 835 mm
- recess for display and mount	130 mm
- height of the display's lower edge	1200 mm

### Color\*\* / Item number

arctic white	10653
lava black	10654

### Base price for 1 unit

excluding transportation	8.150 Euro
(order of 3 or more = scaled conditions!)	on request

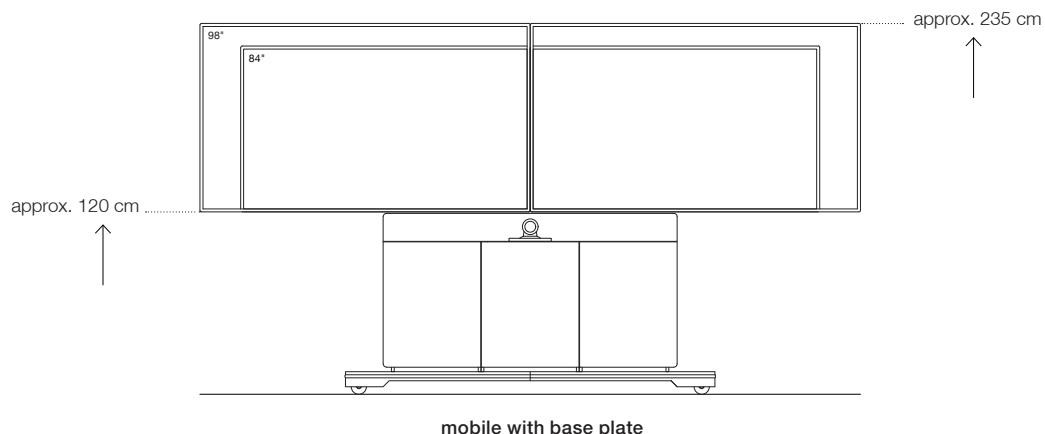
### Shipping

on request

Options	Surface / Color	Item number	Sales price
<b>VC camera housing below display***</b> with centrally divided speaker cover, dimensions 340 x 270 x 180 mm (W x D x H) *** = wide version (540 x 270 x 180 mm), for dual cameras	structure lacquer arctic white	10679 ***11447	445 Euro
	structure lacquer lava black	10680 ***11448	445 Euro
<b>Customized bezel for VC systems</b> for Example for Cisco Webex Room Kit (Plus) / Crestron Flex / Polycom Studio / etc. incl. mounting device This bezel replaces the speaker covers of the main product.	structure lacquer arctic white	10713	445 Euro
	structure lacquer lava black	10714	445 Euro
<b>Door lock (per door/piece)</b>	nickel-plated, matt	10035	170 Euro
<b>Shelf for technology housing</b>	structure lacquer arctic white	each L/R:10681, M:10686	55 Euro
	structure lacquer lava black	each L/R:10687, M:10688	55 Euro

## Media column\_W8 XL<sup>2</sup>

for 84" to 98" displays (16:9)  
with each up to 100 kg weight



### Type / Design

Three doors – with textile cover for external speakers in black.  
Housing and door made of MDF, finished with structure lacquer.  
Passive housing ventilation for individual technology integration.  
Prepared for the integration of a video conference system. Display mount not included.

### Dimensions (W x D x H)

Furniture, outside (base plate)

1950 (2450) x 310 (750) x 2070 (150) mm

Technology housing (\*fittings not included)

2 x 550 x 270\* x 820 mm

1 x 610 x 270\* x 820 mm

Speaker housing

2 x 520 x 270 x 165 mm

### Requirements for display integration

- max. display width	2280 mm
- max. display weight	100 kg
- recom. display depth (incl. mount)	130 - 150 mm
- space for display mount (W x H)	3400 x 835 mm
- recess for display and mount	130 mm
- height of the display's lower edge	1200 mm

### Color\*\* / Item number

arctic white	10655
lava black	10656

### Base price for 1 unit

11.090 Euro

excluding transportation

(order of 3 or more = scaled conditions!)

on request

### Shipping

on request

Options	Surface / Color	Item number	Sales price
<b>VC camera housing below display***</b> with centrally divided speaker cover, dimensions 340 x 270 x 180 mm (W x D x H) *** = wide version (540 x 270 x 180 mm), for dual cameras	structure lacquer arctic white	10679 ***11447	445 Euro
	structure lacquer lava black	10680 ***11448	445 Euro
<b>Customized bezel for VC systems</b> for Example for Cisco Webex Room Kit (Plus) / Crestron Flex / Polycom Studio / etc. incl. mounting device This bezel replaces the speaker covers of the main product.	structure lacquer arctic white	10713	445 Euro
	structure lacquer lava black	10714	445 Euro
<b>Door lock (per door/piece)</b>	nickel-plated, matt	10035	170 Euro
<b>Shelf for technology housing</b>	structure lacquer arctic white	each L/R:10681, M:10686	55 Euro
	structure lacquer lava black	each L/R:10687, M:10688	55 Euro
<b>Cable roll holder</b> on the back side	structure lacquer arctic white	10036	160 Euro
	structure lacquer lava black	10665	160 Euro

## General Elements options

(not available for W6 due to serial production!)

Options	Surface / Color		Item number	Sales price
<b>Custom structure lacquer colors</b> according to specification in RAL or NCS color system		single per order	INDIV_SL	590 Euro
<b>Custom cutouts</b> for free positioning of keypads, control panels or connector panels		inside unlacquered inside lacquered	11945 11946	130 Euro 190 Euro
<b>Sleeve for cable routing Ø 20 mm</b> custom positioning, includes cutout and installation	stainless steel		10205	150 Euro
<b>Grommet Ø 60 mm</b> for free positioning, incl. cutouts in housing	plastic	white black	10574 10719	140 Euro 140 Euro
<b>custom furniture adjustment</b>				10% surcharge on the base item
<b>Profile cylinder lock with rosette for customer-side profile cylinder</b>				170 Euro
<b>19-inch rack – 4HU</b> for vertical mounting of 19-inch devices in a media column. Easy cable routing and maintenance through integrated mounting and swivel mechanism 520 x 205 x 195 mm (W x H x D) <u>Attention:</u> For space reasons the use of the rack is not possible in the W8 M and L - as well as in all S1. In the W8 L <sup>2</sup> and W8 XXL the rack fits only in the center cabinet.	metal, powder coated, black	black	10442	330 Euro
<b>Delivery, set up and instruction by Holzmedia</b>				on request

## Replacement bezel plates for Media column\_W8

Replacement bezel plates	Surface / Color*	Sales price
<b>Speaker cover standard</b> spare part as in the main product	acoustic fabric black, back with structure lacquer	
Size M		390 Euro
Size L		490 Euro
Size XL		590 Euro
Size XXL		690 Euro
Size M <sup>2</sup>		590 Euro
Size L <sup>2</sup>		690 Euro
Size XL <sup>2</sup>		790 Euro
<b>Custom speaker cover</b> with custom cutout	acoustic fabric black, back lacquered in structure lacquer arctic white or lava black	
Size M		590 Euro
Size L		690 Euro
Size XL		790 Euro
Size XXL		890 Euro
Size M <sup>2</sup>		790 Euro
Size L <sup>2</sup>		890 Euro
Size XL <sup>2</sup>		990 Euro
<b>Custom VC bezel plate</b> with cutout and mounting device for VC soundbar	made of MDF in structure lacquer arctic white or lava black	
Size M		590 Euro
Size L		690 Euro
Size XL		790 Euro
Size XXL		890 Euro
Size M <sup>2</sup>		790 Euro
Size L <sup>2</sup>		890 Euro
Size XL <sup>2</sup>		990 Euro
<b>VC camera housing below display</b> with centrally divided speaker cover	structure lacquer arctic white or lava black acoustic fabric black	
Size L		690 Euro
Size XL		790 Euro
Size XXL		890 Euro
Size M <sup>2</sup>		790 Euro
Size L <sup>2</sup>		890 Euro
Size XL <sup>2</sup>		990 Euro