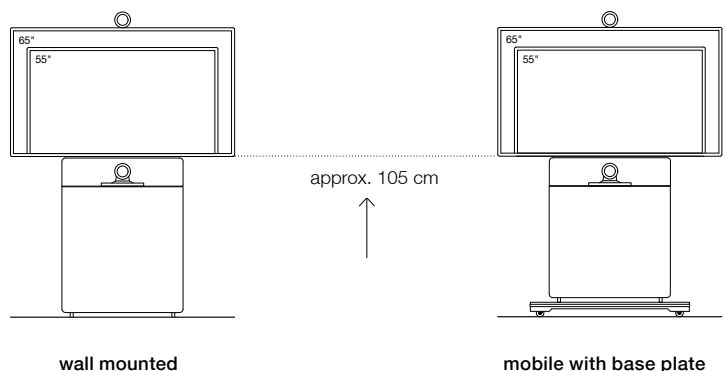


Media column_W8 M

for 55" to 65" displays
with up to 60 kg weight



VC camera position:

above display (height variable from 180 cm upward)
or below display (height about 85 cm)

Type / Design

One door – with textile cover for external speakers in black.
Housing and door made of MDF, finished with structured varnish.
Passive housing ventilation for individual technology integration.
Prepared for the integration of a video conference system. Display mount not included.

Dimensions (W x D x H)

Furniture, outside (base plate)	800 x 220 x 1750 mm	800 (1050) x 220 (550) x 1750 (100) mm
Technology housing (*fittings not included)	650 x 180* x 800 mm	650 x 180* x 720 mm
Speaker housing	620 x 180 x 165 mm	620 x 180 x 165 mm

Requirements for display integration

- max. display width	1600 mm	1600 mm
- max. display weight	60 kg	60 kg
- recom. display depth (incl. mount)	80 - 100 mm	80 - 100 mm
- space for display mount (W x H)	700 x 700 mm	700 x 700 mm
- recess for display and mount	80 mm	80 mm
- height of the display's lower edge	1050 mm	1050 mm

Color / Item number**

arctic white	10010	10012
lava black	10011	10013

Base price for 1 unit

3.210 Euro **4.220 Euro**

excluding transportation

(order of 3 or more = scaled conditions!)

on request

on request

Shipping

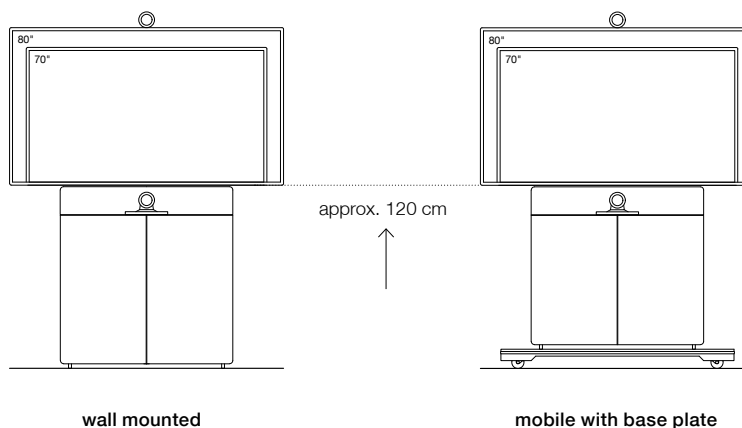
on request

Options	Surface / Color	Item number	Sales price
VC camera mount			
- for position above display, space 240 x 165 mm (W x D)	metal, powder coated, black	10033	220 Euro
- for position in front and with adapted speaker fabric panel space 250 x 200 mm (W x D)	metal, powder coated, black	10034	440 Euro
Customized bezel for VC systems up to a width of 620 mm			
for Example for Cisco Webex Room Kit Mini / Poly X30/R30 / etc. incl. mounting substructure This bezel replaces the speaker covers of the main product.	structured varnish arctic white	10571	445 Euro
	structured varnish lava black	10704	445 Euro
Door lock (per door/piece)	nickel-plated, matt	10035	170 Euro
Shelf for technology housing	structured varnish arctic white	10028	55 Euro
	structured varnish lava black	10664	55 Euro
Cable roll holder on the back side of the mobile version	structured varnish arctic white	10036	160 Euro
	structured varnish lava black	10665	160 Euro

** Structured varnish colors can be customized on request against surcharge.
Prices = net sales prices, excluding VAT (in Euro)

Media column_W8 L

for 70" to 80" displays
with up to 80 kg weight



VC camera position:

above display (height variable from 210 cm upward)
or below display (height about 102 cm)

Type / Design

Two doors – with textile cover for external speakers in black.
Housing and door made of MDF, finished with structured varnish.
Passive housing ventilation for individual technology integration.
Prepared for the integration of a video conference system. Display mount not included.

Dimensions (W x D x H)

Furniture, outside (base plate)	1140 x 250 x 1960 mm	1140 (1540) x 250 (650) x 1960 (130) mm
Technology housing (*fittings not included)	2 x 480 x 210* x 950 mm	2 x 480 x 210* x 840 mm
Speaker housing	960 x 210 x 165 mm	960 x 210 x 165 mm

Requirements for display integration

- max. display width	1900 mm	1900 mm
- max. display weight	80 kg	80 kg
- recom. display depth (incl. mount)	110 - 130 mm	110 - 130 mm
- space for display mount (W x H)	1040 x 760 mm	1040 x 760 mm
- recess for display and mount	110 mm	110 mm
- height of the display's lower edge	1200 mm	1200 mm

Color** / Item number

arctic white	10014	10016
lava black	10015	10017

Base price for 1 unit

excluding transportation	3.950 Euro	5.340 Euro
(order of 3 or more = scaled conditions!)	on request	on request

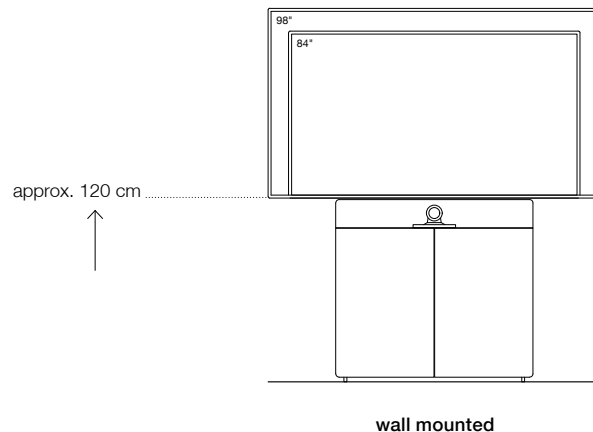
Shipping

on request

Options	Surface / Color	Item number	Sales price
VC camera housing below display***			
with centrally divided speaker cover, dimensions 340 x 210 x 180 mm (W x D x H)	structured varnish arctic white	10667 ***12048	445 Euro
*** = wide version (540 x 210 x 180 mm), for dual cameras	structured varnish lava black	10671 ***12049	445 Euro
VC camera mount	metal, powder coated, black	10033	220 Euro
- for position above display, space 240 x 165 mm (W x D)			
Customized bezel for VC systems up to a width of 960 mm	structured varnish arctic white	10705	445 Euro
for Example for Cisco Webex Room Kit (Plus) / PanaCast 50 / Polycom Studio / etc.	structured varnish lava black	10706	445 Euro
incl. mounting substructure			
This bezel replaces the speaker covers of the main product.			
Door lock (per door/piece)	nickel-plated, matt	10035	170 Euro
Shelf for technology housing	structured varnish arctic white	10029	55 Euro
	structured varnish lava black	10666	55 Euro
Cable roll holder	structured varnish arctic white	10036	160 Euro
on the back side of the mobile version	structured varnish lava black	10665	160 Euro

Media column_W8 XL

for 84" to 98" displays (16:9)
with up to 100 kg weight



VC camera position:

below display (height about 102 cm)

Type / Design

Two doors – with textile cover for external speakers in black.
Housing and door made of MDF, finished with structured varnish.
Passive housing ventilation for individual technology integration.
Prepared for the integration of a video conference system. Display mount not included.

Dimensions (W x D x H)

Furniture, outside (base plate)	1300 x 280 x 2070 mm
Technology housing (*fittings not included)	2 x 560 x 240* x 950 mm
Speaker housing	1120 x 240 x 165 mm

Requirements for display integration

- max. display width	2280 mm
- max. display weight	100 kg
- recom. display depth (incl. mount)	130 - 150 mm
- space for display mount (W x H)	1200 x 870 mm
- recess for display and mount	130 mm
- height of the display's lower edge	1200 mm

Color** / Item number

arctic white	10018
lava black	10019

Base price for 1 unit

excluding transportation	4.960 Euro
(order of 3 or more = scaled conditions!)	on request

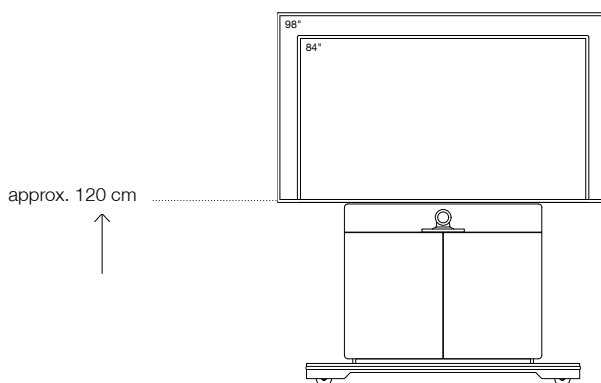
Shipping

on request

Options	Surface / Color	Item number	Sales price
VC camera housing below display**/** with centrally divided speaker cover, dimensions 340 x 210 x 180 mm (W x D x H)	structured varnish arctic white	10668	*10692 ***11441 445 Euro
	structured varnish lava black	10669	*10647 ***11442 445 Euro
* = narrow version (180 x 240 x 180 mm), for Example for Rally Plus *** = wide version (540 x 240 x 180 mm), for dual cameras			
Customized bezel for VC systems up to a width of 1120 mm for Example for Cisco Webex Room Kit (Plus) / Crestron Flex / Polycom Studio / etc. incl. mounting substructure This bezel replaces the speaker covers of the main product.	structured varnish arctic white	10707	445 Euro
	structured varnish lava black	10708	445 Euro
Door lock (per door/piece)	nickel-plated, matt	10035	170 Euro
Shelf for technology housing	structured varnish arctic white	10030	55 Euro
	structured varnish lava black	10670	55 Euro

Media column_W8 XL

for 84" to 98" displays (16:9)
with up to 100 kg weight



mobile with base plate

VC camera position:
below display (height about 102 cm)

Type / Design

Two doors – with textile cover for external speakers in black.
Housing and door made of MDF, finished with structured varnish.
Passive housing ventilation for individual technology integration.
Prepared for the integration of a video conference system. Display mount not included.

Dimensions (W x D x H)

Furniture, outside (base plate)	1300 (1800) x 280 (700) x 2070 (150) mm
Technology housing (*fittings not included)	2 x 560 x 240* x 820 mm
Speaker housing	1120 x 240 x 165 mm

Requirements for display integration

- max. display width	2280 mm
- max. display weight	100 kg
- recom. display depth (incl. mount)	130 - 150 mm
- space for display mount (W x H)	1200 x 870 mm
- recess for display and mount	130 mm
- height of the display's lower edge	1200 mm

Color** / Item number

arctic white	10020
lava black	10021

Base price for 1 unit

excluding transportation	6.965 Euro
(order of 3 or more = scaled conditions!)	on request

Shipping

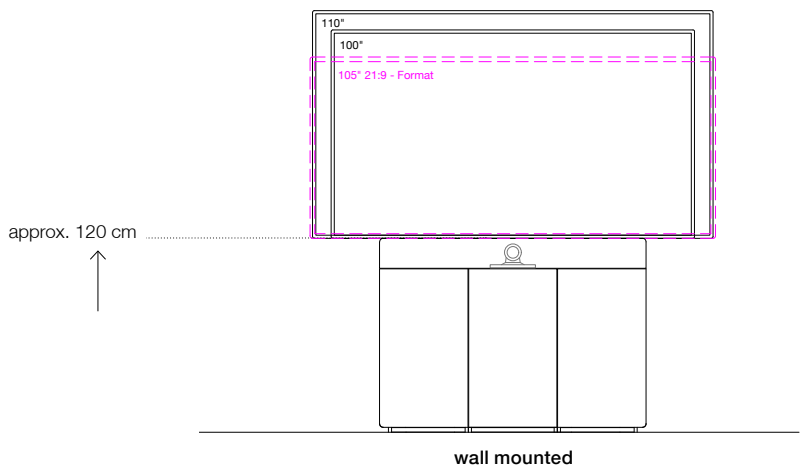
on request

Options	Surface / Color	Item number	Sales price
VC camera housing below display**/** with centrally divided speaker cover, dimensions 340 x 210 x 180 mm (W x D x H) * = narrow version (180 x 240 x 180 mm), for Example for Rally Plus *** = wide version (540 x 240 x 180 mm), for dual cameras	structured varnish arctic white	10668 *10692 ***11441	445 Euro
	structured varnish lava black	10669 *10647 ***11442	445 Euro
Customized bezel for VC systems up to a width width of 1120 mm for Example for Cisco Webex Room Kit (Plus) / Crestron Flex / Polycom Studio / etc. incl. mounting substructure This bezel replaces the speaker covers of the main product.	structured varnish arctic white	10707	445 Euro
	structured varnish lava black	10708	445 Euro
Door lock (per door/piece)	nickel-plated, matt	10035	170 Euro
Shelf for technology housing	structured varnish arctic white	10030	55 Euro
	structured varnish lava black	10670	55 Euro
Cable roll holder on the back side	structured varnish arctic white	10036	160 Euro
	structured varnish lava black	10665	160 Euro

** Structured varnish colors can be customized on request against surcharge.
Prices = net sales prices, excluding VAT (in Euro)

Media column_W8 XXL new

for 100" to 110" displays and LED panels
 also in 21:9 format
 with each up to 120 kg weight



VC camera position:
 below display (height about 102 cm)

Type / Design

Three doors – with textile cover for external speakers in black.
 Housing and door made of MDF, finished with structured varnish.
 Passive housing ventilation for individual technology integration.
 Prepared for the integration of a video conference system. Display mount not included.

Dimensions (W x D x H)

Furniture, outside (base plate)	1650 x 360 x 2210 mm
Technology housing (*fittings not included)	2 x 450 x 320* x 950 mm 1 x 510 x 320* x 950 mm
Speaker housing	2 x 450 x 320 x 165 mm

Requirements for display integration

- max. display width	2440 mm
- max. display weight	120 kg
- recom. display depth (incl. mount)	130 - 150 mm
- space for display mount (W x H)	1550 x 1010 mm
- recess for display and mount	130 mm
- height of the display's lower edge	1200 mm

Color / Item number**

arctic white	11526
lava black	11527

Base price for 1 unit

7.870 Euro

excluding transportation

(order of 3 or more = scaled conditions!)

on request

Shipping

on request

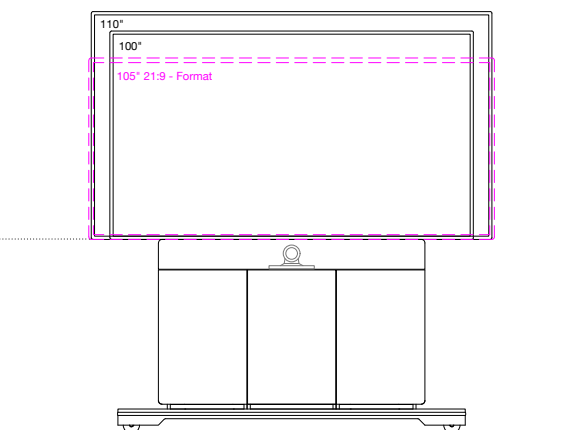
Options	Surface / Color	Item number	Sales price
VC camera housing below display*** with centrally divided speaker cover, dimensions 340 x 270 x 180 mm (W x D x H) *** = wide version (540 x 270 x 180 mm), for dual cameras	structured varnish arctic white	11530 ***11943	445 Euro
	structured varnish lava black	11531 ***11944	445 Euro
Customized bezel for VC systems for Example for Cisco Webex Room Kit (Plus) / Crestron Flex / Polycom Studio / etc. incl. mounting substructure This bezel replaces the speaker covers of the main product.	structured varnish arctic white	11532	445 Euro
	structured varnish lava black	11533	445 Euro
Door lock (per door/piece)	nickel-plated, matt	10035	170 Euro
Shelf for technology housing	structured varnish arctic white	each L/R:11534, M:11535	55 Euro
	structured varnish lava black	each L/R:11536, M:11537	55 Euro
Individual adjustment/enlargement of the display mounting board for LED panels	structured varnish lava black	12033	290 Euro

** Structured varnish colors can be customized on request against surcharge.
 Prices = net sales prices, excluding VAT (in Euro)

Media column_W8 XXL new

for 100" to 110" displays and LED panels
 also in 21:9 format
 with each up to 120 kg weight

approx. 120 cm



mobile with base plate

VC camera position:

below display (height about 102 cm)

Type / Design

Three doors – with textile cover for external speakers in black.
 Housing and door made of MDF, finished with structured varnish.
 Passive housing ventilation for individual technology integration.
 Prepared for the integration of a video conference system. Display mount not included.

Dimensions (W x D x H)

Furniture, outside (base plate)

1650 (2150) x 360 (750) x 2210 (150) mm

Technology housing (*fittings not included)

2 x 450 x 320* x 820 mm

1 x 510 x 320* x 820 mm

Speaker housing

2 x 450 x 320 x 165 mm

Requirements for display integration

- max. display width

2440 mm

- max. display weight

120 kg

- recom. display depth (incl. mount)

130 - 150 mm

- space for display mount (W x H)

1550 x 1010 mm

- recess for display and mount

130 mm

- height of the display's lower edge

1200 mm

Color** / Item number

arctic white

11528

lava black

11529

Base price for 1 unit

10.880 Euro

excluding transportation

(order of 3 or more = scaled conditions!)

on request

Shipping

on request

Options	Surface / Color	Item number	Sales price
VC camera housing below display*** with centrally divided speaker cover, dimensions 340 x 270 x 180 mm (W x D x H) *** = wide version (540 x 270 x 180 mm), for dual cameras	structured varnish arctic white	11530 ***11943	445 Euro
	structured varnish lava black	11531 ***11944	445 Euro
Customized bezel for VC systems for Example for Cisco Webex Room Kit (Plus) / Crestron Flex / Polycom Studio / etc. incl. mounting substructure This bezel replaces the speaker covers of the main product.	structured varnish arctic white	11532	445 Euro
	structured varnish lava black	11533	445 Euro
Door lock (per door/piece)	nickel-plated, matt	10035	170 Euro
Shelf for technology housing	structured varnish arctic white	each L/R:11534, M:11535	55 Euro
	structured varnish lava black	each L/R:11536, M:11537	55 Euro
Individual adjustment/enlargement of the display mounting board for LED panels	structured varnish lava black	12033	290 Euro
Cable roll holder on the back side	structured varnish arctic white	10036	160 Euro
	structured varnish lava black	10665	160 Euro

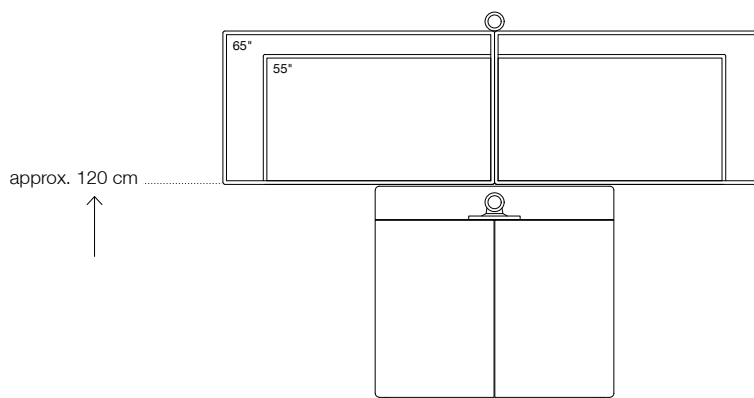
** Structured varnish colors can be customized on request against surcharge.

Prices = net sales prices, excluding VAT (in Euro)

Holzmedia GmbH

Media column_W8 M²

for 55" to 65" displays
with each up to 60 kg weight



VC camera position:

above display (height variable from 195 cm upward)
or below display (height about 102 cm)

wall mounted

Type / Design

Two doors – with textile cover for external speakers in black.
Housing and door made of MDF, finished with structured varnish.
Passive housing ventilation for individual technology integration.
Prepared for the integration of a video conference system. Display mount not included.

Dimensions (W x D x H)

Furniture, outside (base plate)	1300 x 280 x 1900 mm
Technology housing (*fittings not included)	2 x 560 x 240* x 950 mm
Speaker housing	1120 x 240 x 165 mm

Requirements for display integration

- max. display width	1600 mm
- max. display weight	60 kg
- recom. display depth (incl. mount)	80 - 100 mm
- space for display mount (W x H)	2200 x 650 mm
- recess for display and mount	80 mm
- height of the display's lower edge	1200 mm

Color / Item number**

arctic white	10022
lava black	10023

Base price for 1 unit

excluding transportation	5.290 Euro
(order of 3 or more = scaled conditions!)	on request

Shipping

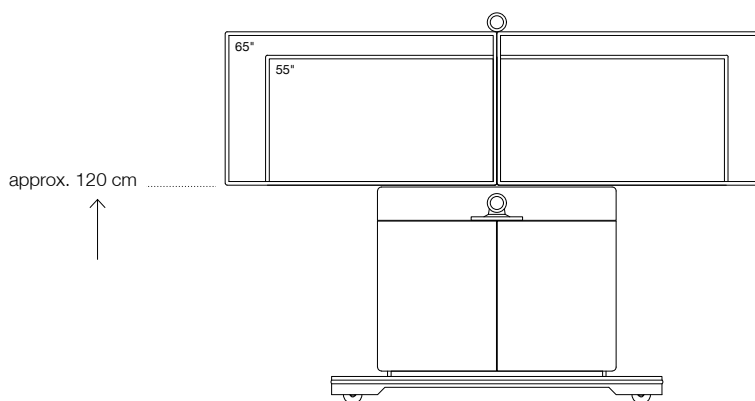
on request

Options	Surface / Color	Item number	Sales price
VC camera housing below display*/***	structured varnish arctic white	10672 *10678 ***11443	445 Euro
with centrally divided speaker cover, dimensions 340 x 240 x 180 mm (W x D x H)	structured varnish lava black	10673 *10720 ***11444	445 Euro
* = narrow version (180 x 240 x 180 mm), for Example for Rally Plus			
*** = wide version (540 x 240 x 180 mm), for dual cameras			
VC camera mount	metal, powder coated, black	10033	220 Euro
for position in front of speaker cover, space 240 x 165 mm (W x D)			
Customized bezel for VC systems up to a width of 1120 mm	structured varnish arctic white	10709	445 Euro
for Example for Cisco Webex Room Kit (Plus) / Crestron Flex / Polycom Studio / etc.	structured varnish lava black	10710	445 Euro
incl. mounting substructure			
This bezel replaces the speaker covers of the main product.			
Door lock (per door/piece)	nickel-plated, matt	10035	170 Euro
Shelf for technology housing	structured varnish arctic white	10031	55 Euro
	structured varnish lava black	10674	55 Euro

** Structured varnish colors can be customized on request against surcharge.
Prices = net sales prices, excluding VAT (in Euro)

Medienstele_W8 M²

for 55" to 65" displays
with each up to 60 kg weight



mobile with base plate

Type / Design

Two doors – with textile cover for external speakers in black.
Housing and door made of MDF, finished with structured varnish.
Passive housing ventilation for individual technology integration.
Prepared for the integration of a video conference system. Display mount not included.

Dimensions (W x D x H)

Furniture, outside (base plate)	1300 (1800) x 280 (700) x 1900 (150) mm
Technology housing (*fittings not included)	2 x 560 x 240* x 820 mm
Speaker housing	1120 x 240 x 165 mm

Requirements for display integration

- max. display width	1600 mm
- max. display weight	60 kg
- recom. display depth (incl. mount)	80 - 100 mm
- space for display mount (W x H)	2200 x 650 mm
- recess for display and mount	80 mm
- height of the display's lower edge	1200 mm

Color** / Item number

arctic white	10024
lava black	10025

Base price for 1 unit

excluding transportation	7.295 Euro
(order of 3 or more = scaled conditions!)	on request

Shipping

on request

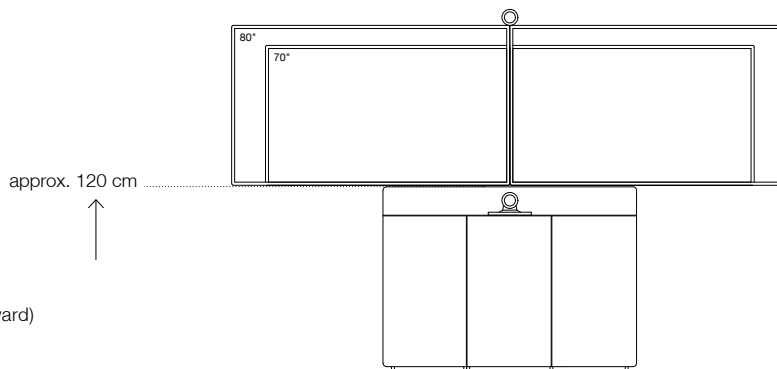
Options	Surface / Color	Item number	Sales price
VC camera housing below display*/***	structured varnish arctic white	10672 * 10678 *** 11443	445 Euro
with centrally divided speaker cover, dimensions 340 x 240 x 180 mm (W x D x H)	structured varnish lava black	10673 * 10720 *** 11444	445 Euro
* = narrow version (180 x 240 x 180 mm), for Example for Rally Plus			
*** = wide version (540 x 240 x 180 mm), for dual cameras			
VC camera mount			
for position in front of speaker cover, space 240 x 165 mm (W x D)	metal, powder coated, black	10033	220 Euro
Customized bezel for VC systems up to a width of 1120 mm			
for Example for Cisco Webex Room Kit (Plus) / Crestron Flex / Polycom Studio / etc.	structured varnish arctic white	10709	445 Euro
incl. mounting substructure	structured varnish lava black	10710	445 Euro
This bezel replaces the speaker covers of the main product.			
Door lock (per door/piece)	nickel-plated, matt	10035	170 Euro
Shelf for technology housing			
	structured varnish arctic white	10031	55 Euro
	structured varnish lava black	10674	55 Euro
Cable roll holder			
on the back side	structured varnish arctic white	10036	160 Euro
	structured varnish lava black	10665	160 Euro

** Structured varnish colors can be customized on request against surcharge.
Prices = net sales prices, excluding VAT (in Euro)

Holzmedia GmbH

Media column_W8 L²

for 70" to 80" displays
with each up to 80 kg weight



VC camera position:
above display (height variable from 210 cm upward)
or below display (height about 102 cm)

wall mounted

Type / Design

Three doors – with textile cover for external speakers in black.
Housing and door made of MDF, finished with structured varnish.
Passive housing ventilation for individual technology integration.
Prepared for the integration of a video conference system. Display mount not included.

Dimensions (W x D x H)

Furniture, outside (base plate)	1650 x 310 x 1960 mm
Technology housing (*fittings not included)	2 x 440 x 270* x 950 mm 1 x 540 x 270* x 950 mm
Speaker housing	2 x 440 x 270 x 165 mm

Requirements for display integration

- max. display width	1900 mm
- max. display weight	80 kg
- recom. display depth (incl. mount)	110 - 130 mm
- space for display mount (W x H)	2850 x 710 mm
- recess for display and mount	110 mm
- height of the display's lower edge	1200 mm

Color / Item number**

arctic white	10026
lava black	10027

Base price for 1 unit

excluding transportation	6.940 Euro
(order of 3 or more = scaled conditions!)	on request

Shipping

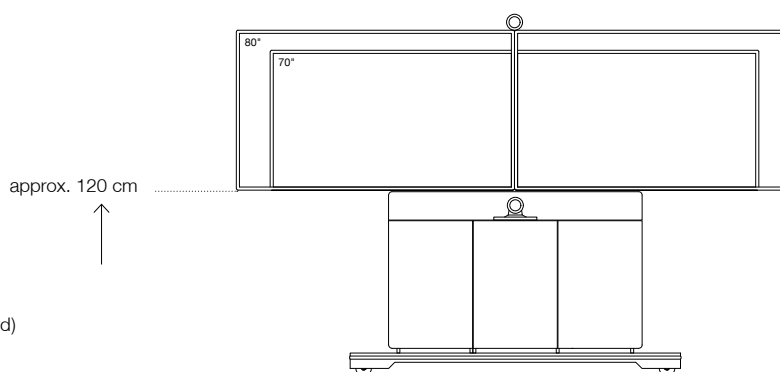
on request

Options	Surface / Color	Item number	Sales price
VC camera housing below display*** with centrally divided speaker cover, dimensions 340 x 270 x 180 mm (W x D x H) *** = wide version (540 x 270 x 180 mm), for dual cameras	structured varnish arctic white	10675 ***11445	445 Euro
	structured varnish lava black	10676 ***11446	445 Euro
VC camera mount for position in front of speaker cover, space 240 x 165 mm (W x D)	metal, powder coated, black	10033	220 Euro
Customized bezel for VC systems for Example for Cisco Webex Room Kit (Plus) / Crestron Flex / Polycom Studio / etc. incl. mounting substructure This bezel replaces the speaker covers of the main product.	structured varnish arctic white	10711	445 Euro
	structured varnish lava black	10712	445 Euro
Door lock (per door/piece)	nickel-plated, matt	10035	170 Euro
Shelf for technology housing	structured varnish arctic white	L:10032, M:10682, R:10683	55 Euro
	structured varnish lava black	L:10677, M:10684, R:10685	55 Euro

** Structured varnish colors can be customized on request against surcharge.
Prices = net sales prices, excluding VAT (in Euro)

Media column_W8 L²

for 70" to 80" displays
with each up to 80 kg weight



mobile with base plate

Type / Design

Three doors – with textile cover for external speakers in black.
Housing and door made of MDF, finished with structured varnish.
Passive housing ventilation for individual technology integration.
Prepared for the integration of a video conference system. Display mount not included.

Dimensions (W x D x H)

Furniture, outside (base plate)	1650 (2150) x 310 (700) x 1960 (150) mm
Technology housing (*fittings not included)	2 x 440 x 270* x 820 mm 1 x 540 x 270* x 820 mm
Speaker housing	2 x 440 x 270 x 165 mm

Requirements for display integration

- max. display width	1900 mm
- max. display weight	80 kg
- recom. display depth (incl. mount)	110 - 130 mm
- space for display mount (W x H)	2850 x 710 mm
- recess for display and mount	110 mm
- height of the display's lower edge	1200 mm

Color** / Item number

arctic white	10651
lava black	10652

Base price for 1 unit

excluding transportation	9.670 Euro
(order of 3 or more = scaled conditions!)	on request

Shipping

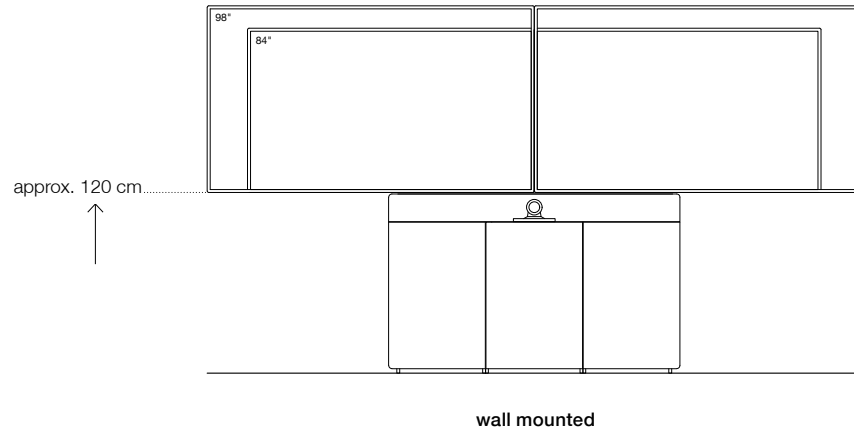
on request

Options	Surface / Color	Item number	Sales price
VC camera housing below display*** with centrally divided speaker cover, dimensions 340 x 270 x 180 mm (W x D x H) *** = wide version (540 x 270 x 180 mm), for dual cameras	structured varnish arctic white	10675 ***11445	445 Euro
	structured varnish lava black	10676 ***11446	445 Euro
VC camera mount for position in front of speaker cover, space 240 x 165 mm (W x D)	metal, powder coated, black	10033	220 Euro
Customized bezel for VC systems for Example for Cisco Webex Room Kit (Plus) / Crestron Flex / Polycom Studio / etc. incl. mounting substructure This bezel replaces the speaker covers of the main product.	structured varnish arctic white	10711	445 Euro
	structured varnish lava black	10712	445 Euro
Door lock (per door/piece)	nickel-plated, matt	10035	170 Euro
Shelf for technology housing	structured varnish arctic white	L:10032, M:10682, R:10683	55 Euro
	structured varnish lava black	L:10677, M:10684, R:10685	55 Euro
Cable roll holder on the back side	structured varnish arctic white	10036	160 Euro
	structured varnish lava black	10665	160 Euro

** Structured varnish colors can be customized on request against surcharge.
Prices = net sales prices, excluding VAT (in Euro)

Media column_W8 XL²

for 84" to 98" displays (16:9)
with each up to 100 kg weight



VC camera position:
below display (height about 102 cm)

Type / Design

Three doors – with textile cover for external speakers in black.
Housing and door made of MDF, finished with structured varnish.
Passive housing ventilation for individual technology integration.
Prepared for the integration of a video conference system. Display mount not included.

Dimensions (W x D x H)

Furniture, outside (base plate)	1950 x 310 x 2070 mm
Technology housing (*fittings not included)	2 x 550 x 270* x 950 mm 1 x 610 x 270* x 950 mm
Speaker housing	2 x 520 x 270 x 165 mm

Requirements for display integration

- max. display width	2280 mm
- max. display weight	100 kg
- recom. display depth (incl. mount)	130 - 150 mm
- space for display mount (W x H)	3400 x 820 mm
- recess for display and mount	130 mm
- height of the display's lower edge	1200 mm

Color** / Item number

arctic white	10653
lava black	10654

Base price for 1 unit

excluding transportation	8.150 Euro
(order of 3 or more = scaled conditions!)	on request

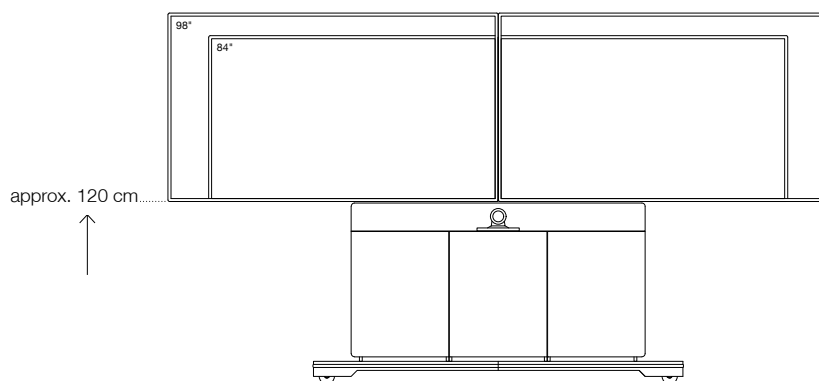
Shipping

on request

Options	Surface / Color	Item number	Sales price
VC camera housing below display*** with centrally divided speaker cover, dimensions 340 x 270 x 180 mm (W x D x H) *** = wide version (540 x 270 x 180 mm), for dual cameras	structured varnish arctic white	10679 ***11447	445 Euro
	structured varnish lava black	10680 ***11448	445 Euro
Customized bezel for VC systems for Example for Cisco Webex Room Kit (Plus) / Crestron Flex / Polycom Studio / etc. incl. mounting substructure This bezel replaces the speaker covers of the main product.	structured varnish arctic white	10713	445 Euro
	structured varnish lava black	10714	445 Euro
Door lock (per door/piece)	nickel-plated, matt	10035	170 Euro
Shelf for technology housing	structured varnish arctic white	L/R:10681, M:10686	55 Euro
	structured varnish lava black	L/R:10687, M:10688	55 Euro

Media column_W8 XL²

for 84" to 98" displays (16:9)
with each up to 100 kg weight



mobile with base plate

VC camera position:
below display (height about 102 cm)

Type / Design

Three doors – with textile cover for external speakers in black.
Housing and door made of MDF, finished with structured varnish.
Passive housing ventilation for individual technology integration.
Prepared for the integration of a video conference system. Display mount not included.

Dimensions (W x D x H)

Furniture, outside (base plate)

1950 (2450) x 310 (750) x 2070 (150) mm

Technology housing (*fittings not included)

2 x 550 x 270* x 820 mm

1 x 610 x 270* x 820 mm

Speaker housing

2 x 520 x 270 x 165 mm

Requirements for display integration

- max. display width	2280 mm
- max. display weight	100 kg
- recom. display depth (incl. mount)	130 - 150 mm
- space for display mount (W x H)	3400 x 820 mm
- recess for display and mount	130 mm
- height of the display's lower edge	1200 mm

Color** / Item number

arctic white	10655
lava black	10656

Base price for 1 unit

11.090 Euro

excluding transportation

(order of 3 or more = scaled conditions!)

on request

Shipping

on request

Options	Surface / Color	Item number	Sales price
VC camera housing below display*** with centrally divided speaker cover, dimensions 340 x 270 x 180 mm (W x D x H) *** = wide version (540 x 270 x 180 mm), for dual cameras	structured varnish arctic white	10679 ***11447	445 Euro
	structured varnish lava black	10680 ***11448	445 Euro
Customized bezel for VC systems for Example for Cisco Webex Room Kit (Plus) / Crestron Flex / Polycom Studio / etc. incl. mounting substructure This bezel replaces the speaker covers of the main product.	structured varnish arctic white	10713	445 Euro
	structured varnish lava black	10714	445 Euro
Door lock (per door/piece)	nickel-plated, matt	10035	170 Euro
Shelf for technology housing	structured varnish arctic white	L/R:10681, M:10686	55 Euro
	structured varnish lava black	L/R:10687, M:10688	55 Euro
Cable roll holder on the back side	structured varnish arctic white	10036	160 Euro
	structured varnish lava black	10665	160 Euro

General elements options

(not available for W6 due to serial production!)

Options	Surface / Color		Item number	Sales price
Custom structured varnish colors according to specification in RAL or NCS color system		single per order	INDIV_SL	590 Euro
Custom cutouts for free positioning of keypads, control panels or connector panels		inside unvarnished inside varnished	11945 11946	130 Euro 190 Euro
Sleeve for cable routing Ø 20 mm custom positioning, includes cutout and installation	stainless steel		10205	150 Euro
Cable passage Ø 60 mm for free positioning, incl. cutouts in housing	plastic	white black	10574 10719	140 Euro 140 Euro
custom furniture adjustment				10% surcharge on the base item
Preparation / integration of PZ lock, incl. chrome rosette when the PZ half-cylinder is supplied or self-installed				170 Euro
19-inch rack – 4HU for vertical mounting of 19-inch devices in a media column. Easy cable routing and maintenance through integrated mounting and swivel mechanism 520 x 205 x 195 mm (W x H x D) <u>Attention:</u> For space reasons the use of the rack is not possible in the W8 M and L - as well as in all S1. In the W8 L ² the rack fits only in the center cabinet.	metal, powder coated, black	black	10442	330 Euro
Delivery, set up and instruction by Holzmedia				on request

Replacement bezel plates for media column_W8

Replacement bezel plates	Surface / Color*	Sales price
Speaker cover standard spare part as in the main product	acoustic fabric black, back lacquered with structured varnish	
Size M		390 Euro
Size L		490 Euro
Size XL		590 Euro
Size XXL		690 Euro
Size M ²		590 Euro
Size L ²		690 Euro
Size XL ²		790 Euro
Custom speaker cover with custom cutout	acoustic fabric black, back lacquered in structured varnish arctic white or structured varnish lava black	
Size M		590 Euro
Size L		690 Euro
Size XL		790 Euro
Size XXL		890 Euro
Size M ²		790 Euro
Size L ²		890 Euro
Size XL ²		990 Euro
Custom VC bezel plate with cutout and mounting device for VC soundbar	made of MDF in structured varnish arctic white or structured varnish lava black	
Size M		590 Euro
Size L		690 Euro
Size XL		790 Euro
Size XXL		890 Euro
Size M ²		790 Euro
Size L ²		890 Euro
Size XL ²		990 Euro
VC camera housing below display with centrally divided speaker cover	structured varnish arctic white or lava black acoustic fabric black	
Size L		690 Euro
Size XL		790 Euro
Size XXL		890 Euro
Size M ²		790 Euro
Size L ²		890 Euro
Size XL ²		990 Euro